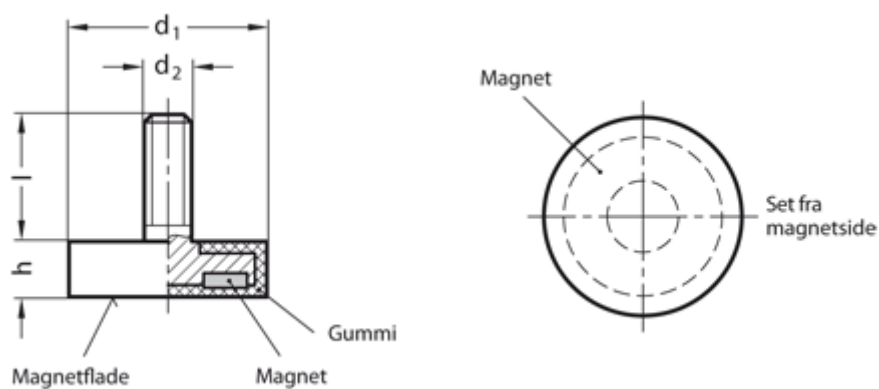


Article number: 201229057

Description: E+G Magnet - female thread GN 51.3-ND-88-M8-SW
ND Neodym, iron, boron, 80°C, 420N

Measures



d1 = 88

d2 = M8

h = 8.5

Holding force N = 420

l = 15

Material = ND Neodym, jern, bor - 80° C